



## Omni-ID® IQ 1200G

Omni-ID's windshield label tag, the IQ 1200G is the perfect solution to optimize vehicle asset management operations. When attached to glass surfaces, the superior read performance of the IQ 1200G assures reliability and accuracy.

### Building Intelligent Supply Chains

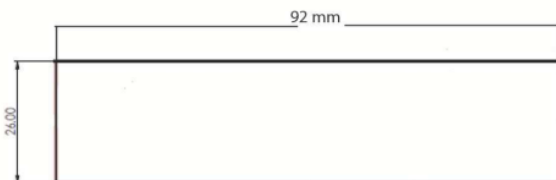
Vehicle asset management and control can take many forms:

- ▶ Parking Permits
- ▶ Vehicle Access Control
- ▶ Vehicle Registration

### Physical Specifications

|                          |                                |
|--------------------------|--------------------------------|
| Material                 | Polyethylene                   |
| Size (mm)<br>(tolerance) | 92 x 26 x 0.2<br>+/- 0.5       |
| Size (in)<br>(tolerance) | 3.61 x 1.02 x .007<br>+/- 0.02 |
| Reel Core inner diameter | 76mm or 3"                     |
| Outside roll diameter    | 203mm or 8"                    |
| Pitch on reel            | 31.75mm or 1.25"               |
| Weight (g)               | 0.8                            |

### Dimensions



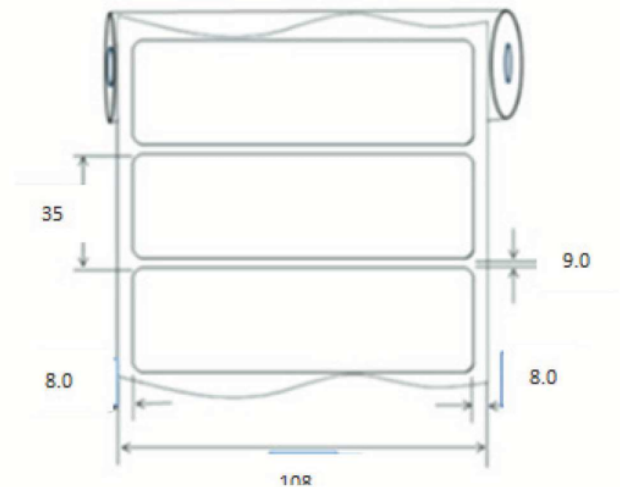
Dimensions stated in mm  
Supply format = 1000 labels per roll

### RF Specifications

|   |  |
|---|--|
| Protocol                                  | EPC Class 1 Gen2                                     |
| Frequency Range (MHz)                     | 866-868 (EU)<br>902-928 (US)                         |
| Read Range (Fixed reader) <sup>1</sup>    | Up to 12.0m (39 ft)                                  |
| Read Range (Handheld reader) <sup>1</sup> | Up to 7.0m (22ft)                                    |
| Material Compatibility                    | Glass  |
| IC Type (chip)                            | Alien Higgs3   |
| Memory <sup>2</sup>                       | EpC - 96bit<br>User - 512bits<br>Unique TID - 64bits |

1. Quoted performance achieved using standard testing methodology. Read range will vary with reader hardware and output power.

2. EPC and User memory are reprogrammable, TID is locked at point of manufacture.



# Windshield Tag - IQ 1200G

## Options for Personalization

- ▶ Inkjet and thermal transfer printable on one side.
- ▶ Two sided artwork is a custom option to accommodate all customer needs.
- ▶ Data Encryption.
- ▶ Human readable printing (barcodes, text, etc...).
- ▶ Delivered in reel format with the ability to be encoded.



## Environmental Specifications

|                                      |                              |
|--------------------------------------|------------------------------|
| Storage Temperature <sup>1</sup>     | -20° to +60°C                |
| Operation Temperature <sup>1</sup>   | -20° to +60°C                |
| Survivability <sup>2</sup>           | -20° to +60°C                |
| Application Temperature <sup>1</sup> | +18 to +35°C                 |
| Attachment                           | Self adhesive (std)          |
| Warranty                             | 1 year                       |
| Certifications                       | RoHS approved<br>CE approved |

1. Excludes adhesive options, consult adhesive data sheets for recommended temperature ratings.  
2. Testing methodology available on request

## Ordering Information

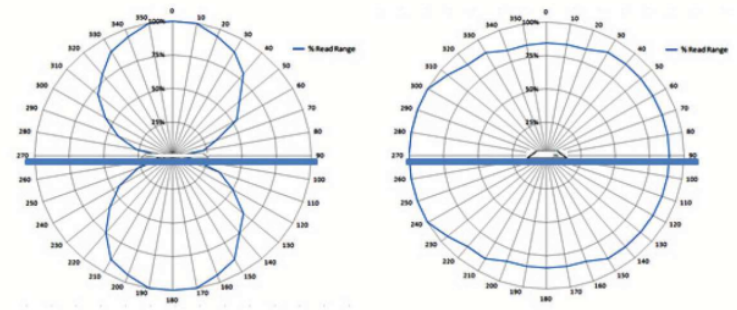
|                                 |  |
|---------------------------------|--|
| Order code                      | 122 EU or US (product reference)   |
| Option codes                    | :303 (Customization)<br>:701 (Standard Service Bureau)                               |
| Print Options (Windscreen side) | Dynamic data: EPC/TID barcode<br>Dynamic and fixed text<br>Color/Monochrome graphics |
| Print Options (Driver side)     | Dynamic data: EPC/TID barcode<br>Dynamic and fixed text<br>Color/Monochrome graphics |
| Supply Format                   | 1000 Labels per roll   |
| (MOQ) Minimum Order Quantity    | 50,000 pcs/ 4 rolls for printed labels only  |

A tamper-resistant option is available as a custom option.



## Radiation Patterns

On Glass



Omni-ID office locations: US | UK | China | India | Germany